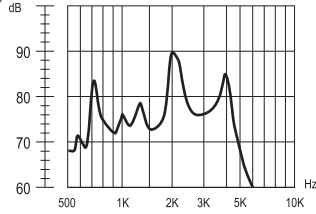


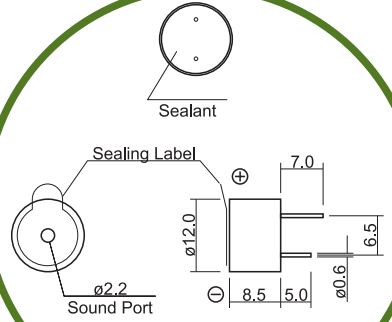
# SoniCrest Electro-Magnetic Sound Generators

## HCM12D Series



### Frequency Response

Applied Voltage : 1.5V, 50% Duty Square Wave  
Measuring Distance : 10cm



### Dimension

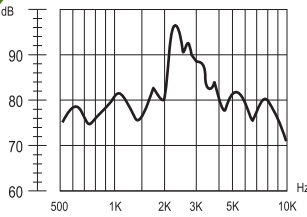
Unit: mm  
Tolerance : 0.3mm

**Specification** (all data taken at 25°C unless otherwise specified)

Model	Rated Voltage (V)	Operating Voltage (V)	★Rated Current (mA)	Coil Resistance (Ω)	⊕Coil Impedance (Ω)	★Sound Output at 10cm (dB)	Rated Frequency (Hz)	Operating Temperature (°C)	Storage Temperature (°C)	Housing Material	Weight (g)
HCM1201D-16	1.5	1 ~ 5	≤30	16 ± 5	40	≥85	2048	-25 ~ +70	-30 ~ +85	Noryl SE1	2
HCM1201D-42	1.5	1 ~ 5	≤15	42 ± 6	120	≥80	2048	-25 ~ +70	-30 ~ +85	Noryl SE1	2
HCM1203D-16	3.6	1 ~ 5	≤100	16 ± 5	40	≥85	2048	-25 ~ +70	-30 ~ +85	Noryl SE1	2

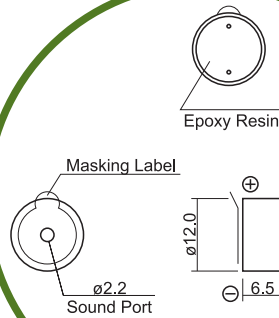
★ Value Applying Rated Voltage, Rated Frequency, 50% Duty Square Wave

⊕ Value Applying Rated Frequency, Sine Wave, Measuring Current 60μA



### Frequency Response

Applied Voltage : 5V, 50% Duty Square Wave  
Measuring Distance : 10cm



### Dimension

Unit: mm  
Tolerance : 0.3mm

## HCM12F Series

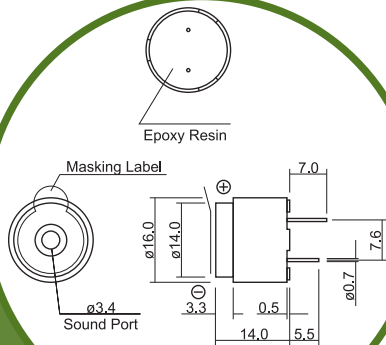
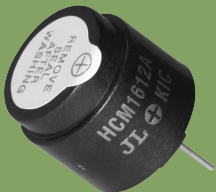


**Specification** (all data taken at 25°C unless otherwise specified)

Model	Rated Voltage (V)	Operating Voltage (V)	★Rated Current (mA)	Coil Resistance (Ω)	★Sound Output at 10cm (dB)	Rated Frequency (Hz)	Operating Temperature (°C)	Storage Temperature (°C)	Housing Material	Weight (g)
HCM1203F	3	2 ~ 5	≤60	25 ± 4	≥85	2400	-40 ~ +85	-40 ~ +85	Noryl	1.2
HCM1205F	5	4 ~ 8	≤60	45 ± 4	≥85	2400	-40 ~ +85	-40 ~ +85	SE1-GFN2	1.2
HCM1212F	12	7 ~ 16	≤60	140 ± 4	≥85	2400	-40 ~ +85	-40 ~ +85		1.2

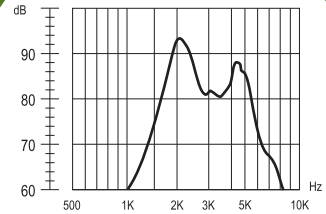
★ Value Applying Rated Voltage, Rated Frequency, 50% Duty Square Wave

## HCM16A Series



### Dimension

Unit: mm  
Tolerance : 0.3mm



### Frequency Response

Applied Voltage : 6V, 50% Duty Square Wave  
Measuring Distance : 10cm

**Specification** (all data taken at 25°C unless otherwise specified)

Model	Rated Voltage (V)	Operating Voltage (V)	★Rated Current (mA)	Coil Resistance (Ω)	⊕Coil Impedance (Ω)	★Sound Output at 10cm (dB)	Rated Frequency (Hz)	Operating Temperature (°C)	Storage Temperature (°C)	Housing Material	Weight (g)
HCM1601A	1.5	1 ~ 2	≤12	27 ± 3	80	≥80	2048	-30 ~ +85	-40 ~ +85	Noryl	7
HCM1606A	6	4 ~ 8	≤50	50 ± 5	110	≥85	2048	-30 ~ +85	-40 ~ +85	SE1-GFN2	7
HCM1612A	12	9 ~ 15	≤50	115 ± 12	200	≥85	2048	-30 ~ +85	-40 ~ +85		7

★ Value Applying Rated Voltage, Rated Frequency, 50% Duty Square Wave

⊕ Value Applying Rated Frequency, Sine Wave, Measuring Current 60μA